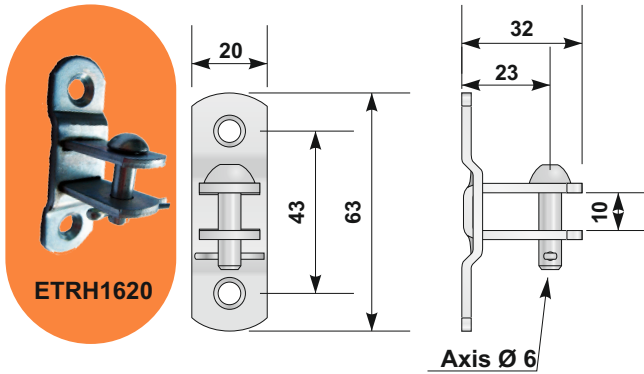


## ETRH1620 - ETRH1820 - ETRH1821 - ETRV2820 - ETRV2821

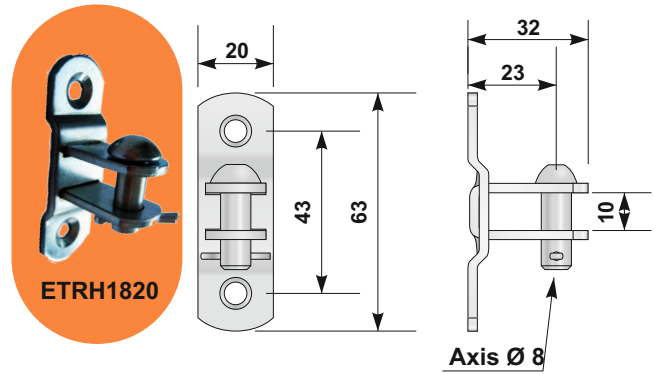
### Description - General information

Enable the fixing and articulation of hydropneumatic springs or pneumatic cylinders.

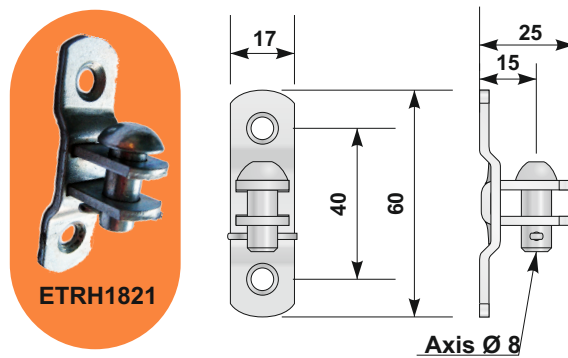
Horizontal bracket, axis Ø6, standard



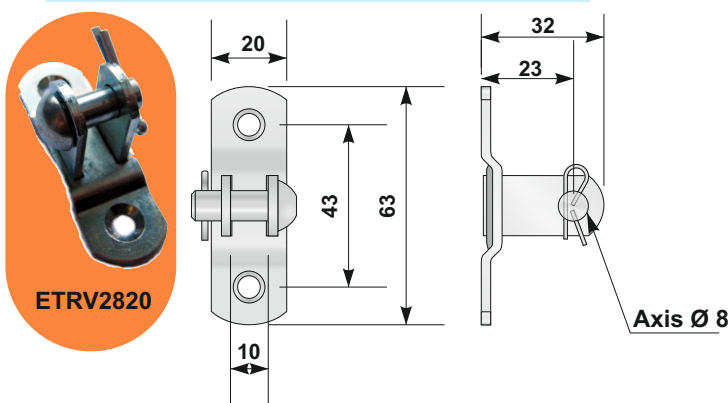
Horizontal bracket, axis Ø8, standard



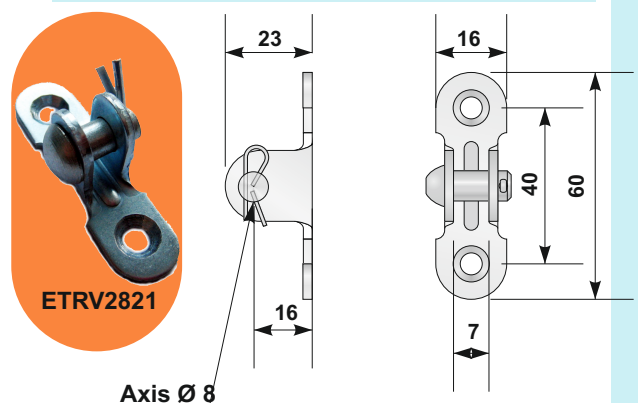
Horizontal bracket, axis Ø8, short



Vertical bracket, axis Ø8, standard



Vertical bracket, axis Ø8, short



### Technical Characteristics

Material . . . . . : Steel.  
 Protection . . . . . : Zinc coating.  
 Precautions . . . . . : Stock and install away from bad weather conditions.

ALL RIGHTS RESERVED. OUR PRODUCTS MAY BE SUBJECT TO MODIFICATION. THEREFORE THIS DOCUMENT CANNOT BE CONSIDERED CONTRACTUAL. ALL MODELS ARE PATENTED. DO NOT LITTER THE PUBLIC HIGHWAY.

