

EXCESS FLOW VALVE

Technical File
T 06007 B

LD101

Description - General information

The excess flow valve enables precise regulation of the air flow.

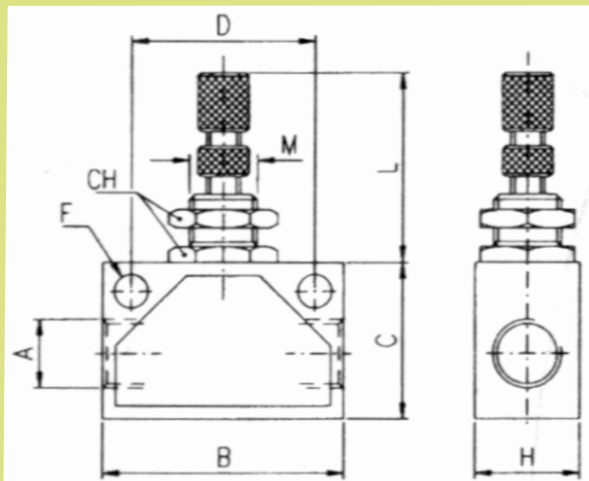
The flow can be adjusted by turning the knurled knob about 15 times to regulate between a free flow and total closure.

Fastened by the 2 holes on the barrel or by $\varnothing 12$ with bolt nuts under the knurled knob.

Supplied with two straight joints.



General dimensions



Dimensions without joints (mm)

A	B	C	CH	H	D	$\varnothing F$	L	M
1/8	35	22	15	20	24.7	4.5	48 / 56	M12x0.75

Material : Brass, aluminium
 Protection : None.
 Operating pressure : 2 to 20 bar.
 Connection : Olive screw connection for pipe $\varnothing 6$.
 Temperature in use : -18 to 70°C
 Precautions : Stock and install away from bad weather conditions.

DUPUY EQUIPEMENTS

Les Ajeux - 72400 La Ferté Bernard - France
 Tel. : +33 (0)2 43 60 78 60 - Fax : +33 (0)2 43 93 41 94
 e-mail : clients@de72.fr



www.dupuy-equipements.com

