

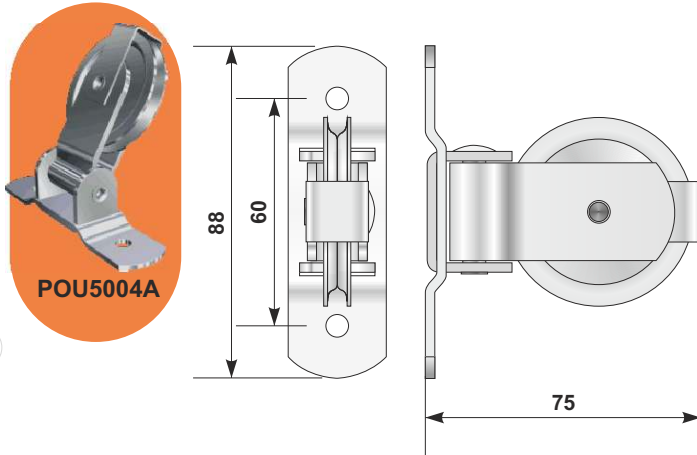
## POU5004A - POU5008A - POU5010A - POU5011A

### Description - General information

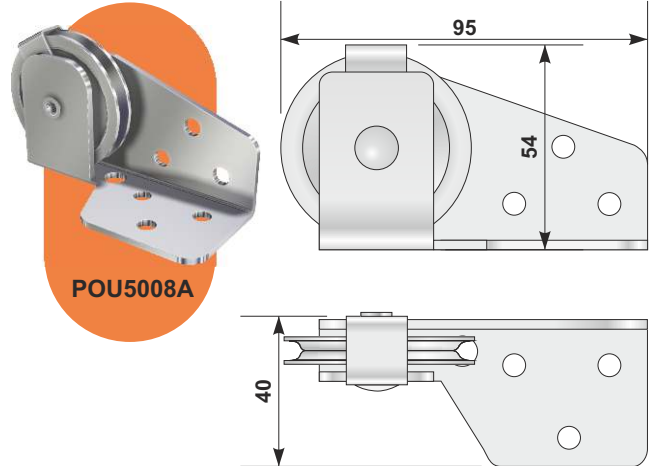
Steel pulley with barrier ring to keep the cable in place.

Enables a cable to run between a skylight and a control device, such as a winch.

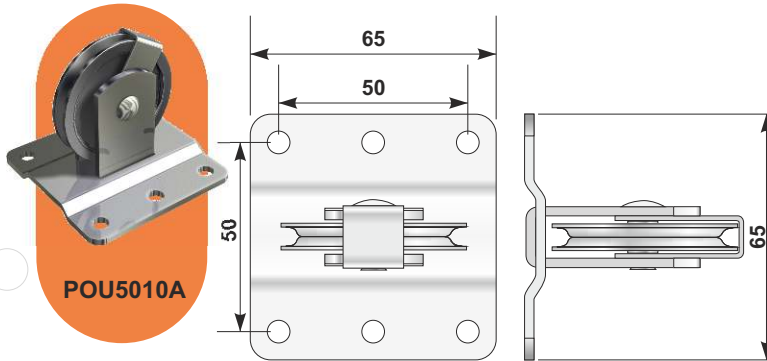
#### Articulated pulley with fixing parallel to the pulley



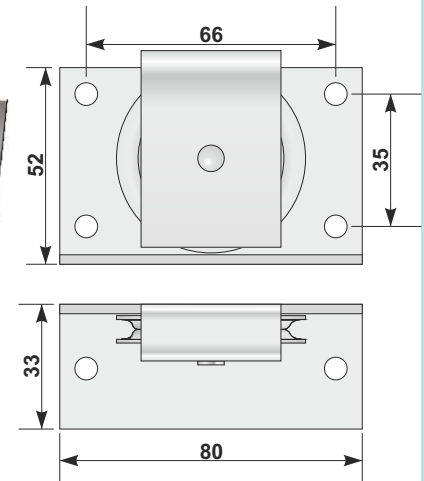
#### Fixed pulley with fixing perpendicular to the pulley



#### Fixed guide pulley



#### Parallel guide pulley



### Technical Characteristics

Material . . . . . : Steel - bronze.  
 Protection . . . . . : Zinc coating.  
 Traction force : Max. 300daN.  
 Cable diameter . . . . . : 3mm maxi.  
 Pulley diameter . . . . . : Exterior Ø50mm, groove base Ø42mm.  
 Precautions . . . . . : Stock and install away from bad weather conditions.

ALL RIGHTS RESERVED. OUR PRODUCTS MAY BE SUBJECT TO MODIFICATION. THEREFORE THIS DOCUMENT CANNOT BE CONSIDERED CONTRACTUAL. ALL MODELS ARE PATENTED. DO NOT LITTER THE PUBLIC HIGHWAY.

